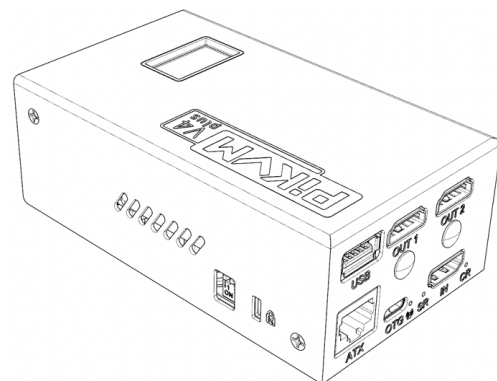
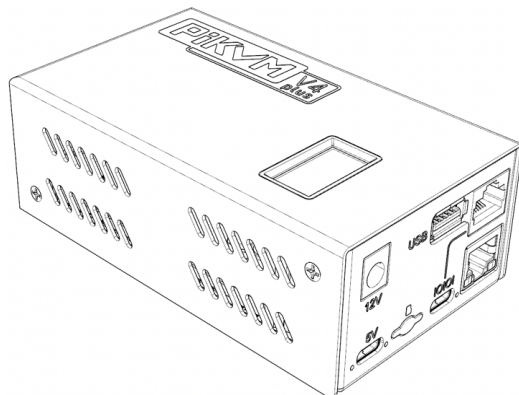
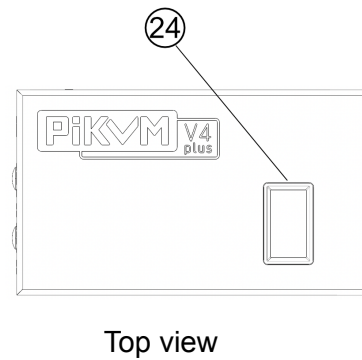
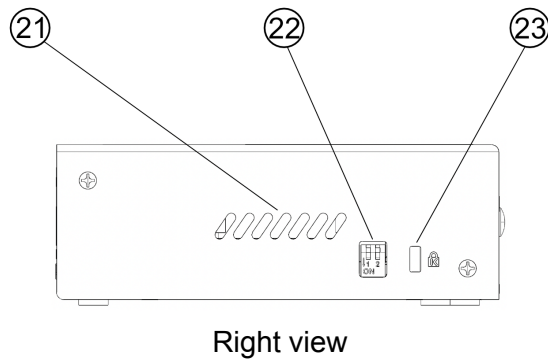
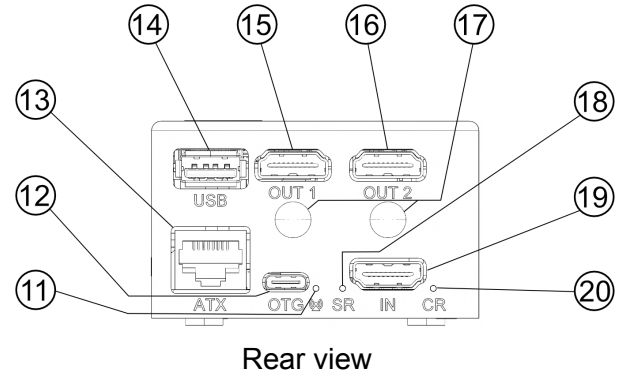
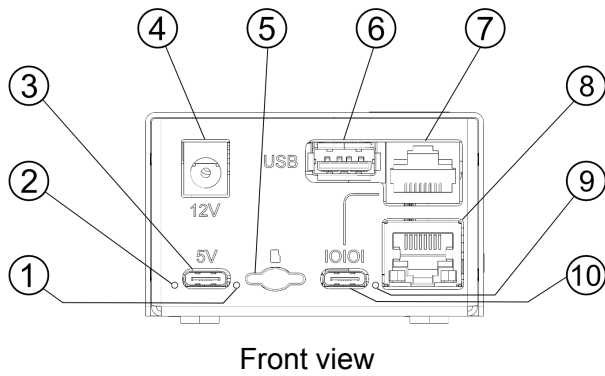


PiKVM V4 Plus Version Datasheet

PiKVM is a feature-rich, production grade, open-source, Raspberry Pi based KVM over IP device. It enables **managing servers or workstations remotely**, whatever the state of the operating system or whether one is installed. **PiKVM allows you to turn on/off or restart your computer, configure the UEFI/BIOS, and even reinstall the OS using the Virtual CD-ROM or Flash Drive.** You can use your remote keyboard and mouse or PiKVM can simulate a keyboard, mouse, and a monitor, which are then presented in a web browser as if you were working on a remote system directly. **It's a true hardware-level access with no dependency on any remote ports, protocols or services!**



Connectivity diagram



1	Activity LED (Red)	13	RJ45 ATX control port
2	Power LED (Green)	14	USB 3.0 port 2
3	Power Input 5.1V 3A	15	HDMI video output port 1
4	Power Input 12V 2A	16	HDMI video output port 2
5	Micro SD card slot	17	Optional antenna's mounting holes
6	USB 3.0 port 1	18	Video source ready status LED
7	RJ45 Serial console port	19	HDMI video input port
8	RJ45 1Gb Ethernet port	20	Video capture ready status LED
9	Serial console active LED / Beacon LED (Green)	21	Ventilation holes

10	USB 2.0 Serial console port	22	Service switches
11	Beacon LED	23	Kensington Security Slot
12	USB 2.0 OTG connector	24	Display

Specifications

Parameter name	Characteristics
Power	
Connection type:	USB-C
Power type:	DC 12V, 2A
Power failure option	Internal supercapacitor for the real time clock support
Connectivity/Interfaces	
HDMI female	HDMI source input
USB-C female	For the keyboard, mouse, mass storage, and other external device emulation)
USB-C female	Serial console management port
Micro SD card slot	For the OS storage
ATX RJ-45	Special port for power control or AUX
WiFi	Optional WiFi b/g/n support with internal/external antenna
Displays/indicators	
LED indicators	power, activity, console power, search led, HDMI source engaged
OLED display	OLED 128x32 0.91" white
Video	

Supported resolutions:	up to 1920x1200@60Hz
Video compression methods	MJPEG, H.264
Audio	
Audio capture mode	HDMI audio capture support
Power consumption	
Peak power consumption	Up to 24W (2A/12V)
Environmental	
Operating temperature	0°C to 50°C
Storage temperature	-20°C to 60°C
Size and weight	
Size	120 x 68 x 44mm
Weight	0.35 kg