

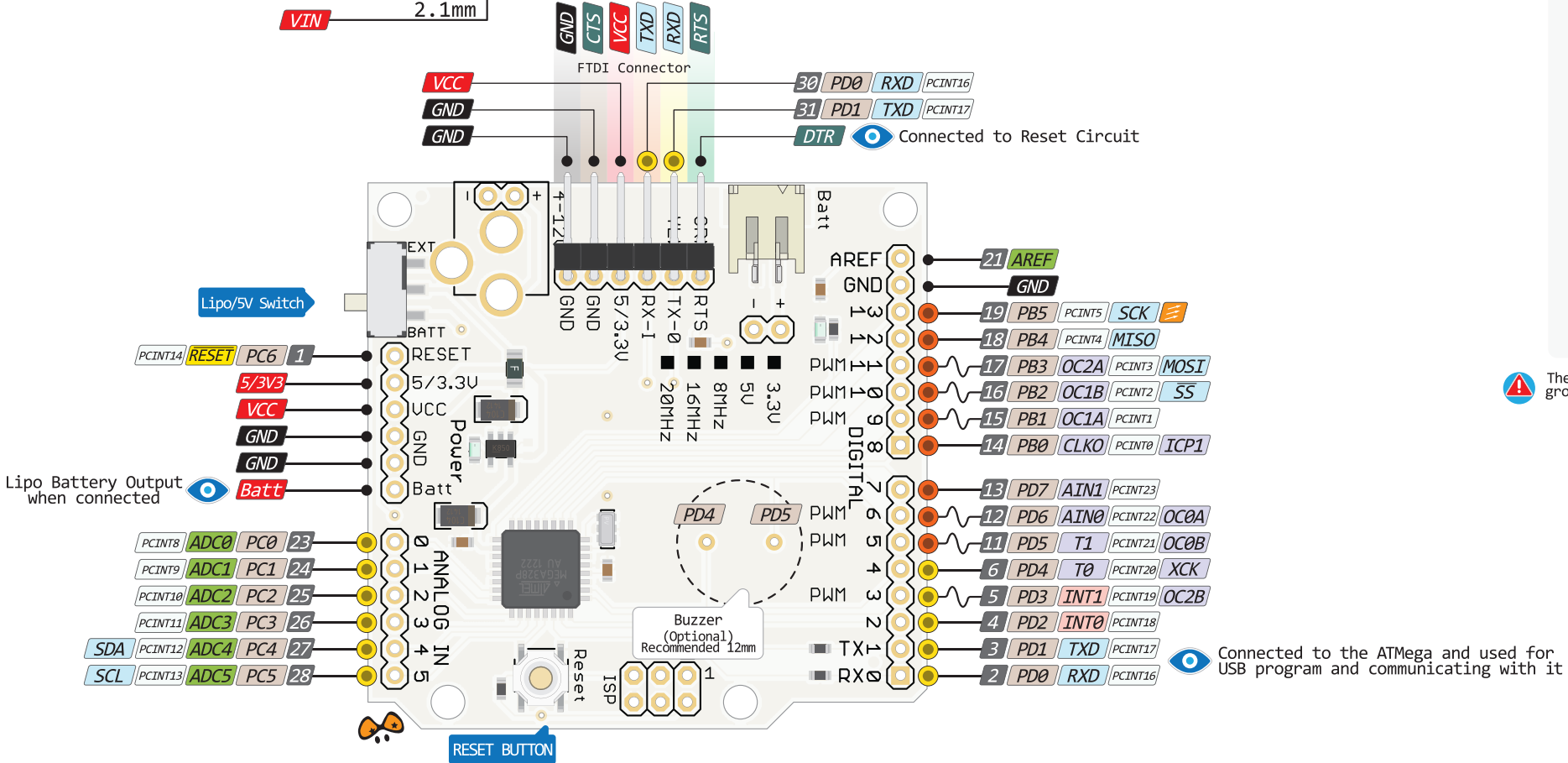
# PRO PINOUT

Optional DC power jack

⚠ 3.35V→12V for 3V3 model  
5V→12V for 5V model

VIN 2.1mm

⚠ No charge controller on this board



**Legend:**

- Power
- GND
- Serial Pin
- Analog Pin
- Control
- INT
- Physical Pin
- Port Pin
- Pin function
- Interrupt Pin
- PWM Pin
- Port Power

⚠ The power sum for each pin's group should not exceed 100mA

- ⚠ Absolute MAX per pin 40mA recommended 20mA at 5V
- ⊘ Absolute MAX per pin 20mA recommended 10mA at 3V3
- ⊘ Absolute MAX 200mA for entire package

