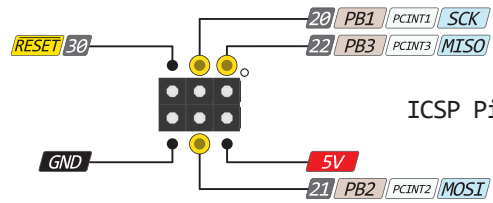
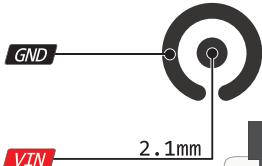


MEGA PINOUT



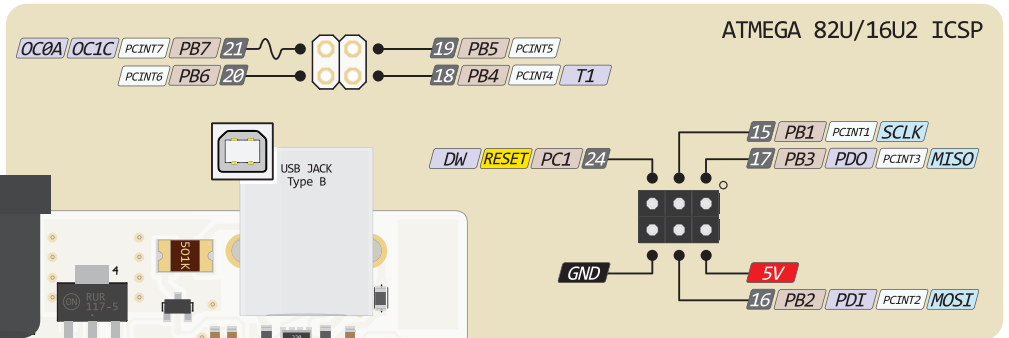
ICSP Pinout

7-12V Depending on current drawn



VIN

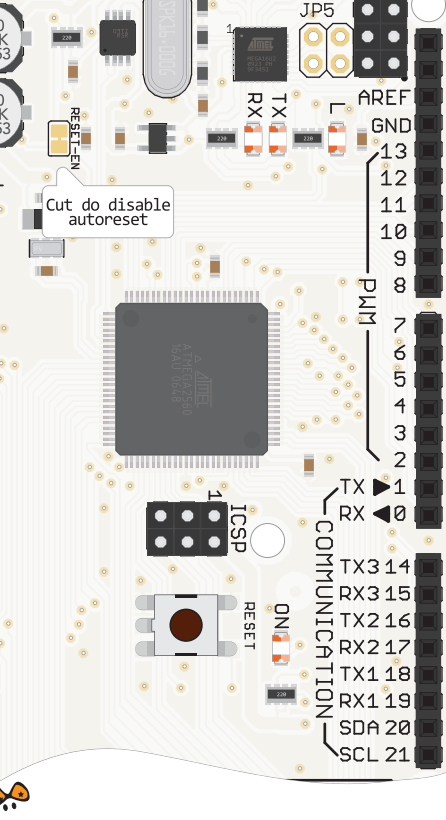
The input voltage to the board when it is running from external power. Not USB bus power.



ATMEGA 82U/16U2 ICSP

- 54 A0
- 55 A1
- 56 A2
- 57 A3
- 58 A4
- 59 A5
- 60 A6
- 61 A7
- 62 A8
- 63 A9
- 64 A10
- 65 A11
- 66 A12
- 67 A13
- 68 A14
- 69 A15

- ADC0 PF0 97
- ADC1 PF1 96
- ADC2 PF2 95
- ADC3 PF3 94
- ADC4 TCK PF4 93
- ADC5 TMS PF5 92
- ADC6 TDO PF6 91
- ADC7 TDI PF7 90
- ADC8 PCINT16 PK0 89
- ADC9 PCINT17 PK1 88
- ADC10 PCINT18 PK2 87
- ADC11 PCINT19 PK3 86
- ADC12 PCINT20 PK4 85
- ADC13 PCINT21 PK5 84
- ADC14 PCINT22 PK6 83
- ADC15 PCINT23 PK7 82

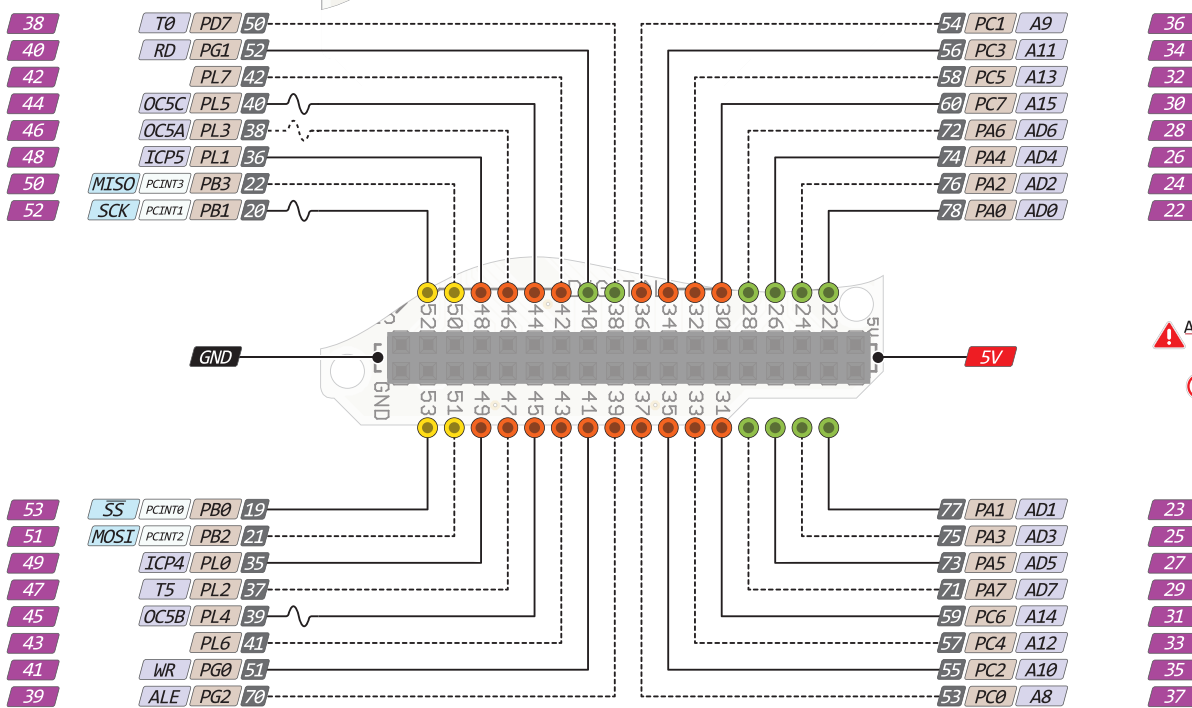


- 43 PD0 INT0 SCL
- 44 PD1 INT1 SDA
- 98 AREF
- GND
- 13 OC0A
- 12 OC1B
- 11 OC1A
- 10 OC2A
- 9 OC2B
- 8 OC4C
- 7 OC4B
- 6 OC4A
- 5 AIN1 OC3A
- 4 OC0B
- 3 OC3C
- 2 OC3B
- 1 TXD0
- 0 RXD0
- 14 TXD3
- 15 RXD3
- 16 TXD2
- 17 RXD2
- 18 TXD1
- 19 RXD1
- 20 SDA
- 21 SCL

R3 Only

- IDE
- Power
- GND
- Serial Pin
- Analog Pin
- Control
- INT
- Physical Pin
- Port Pin
- Pin function
- Interrupt Pin
- PWM Pin
- Port Power

The power sum for each pin's group should not exceed 100mA



Absolute MAX per pin 20mA recommended 10mA
 Absolute MAX 200mA for entire package