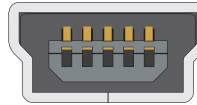
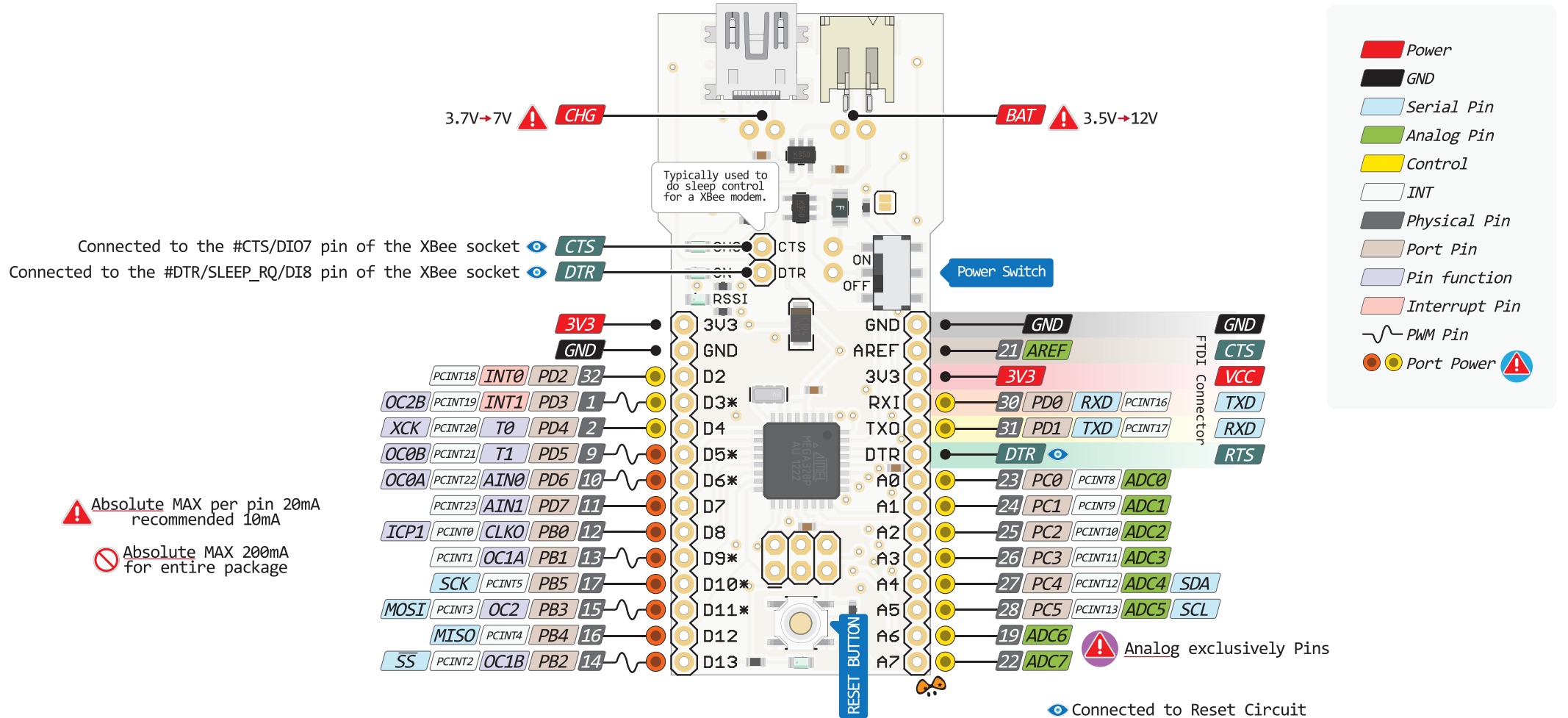


FIO PINOUT

USB JACK
Mini Type B

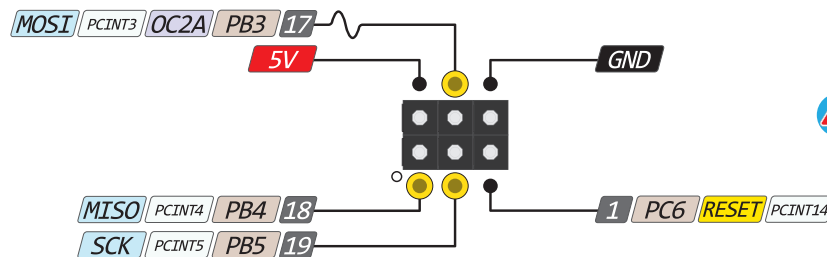


⚠ The mini-USB does not work for programming the FIO or serial communication! It just provides power.



⚠ Absolute MAX per pin 20mA recommended 10mA

⊘ Absolute MAX 200mA for entire package



⚠ The power sum for each pin's group should not exceed 100mA