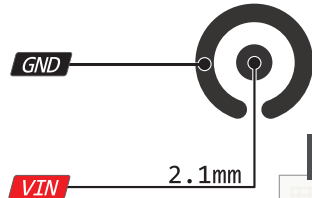


2009 PINOUT

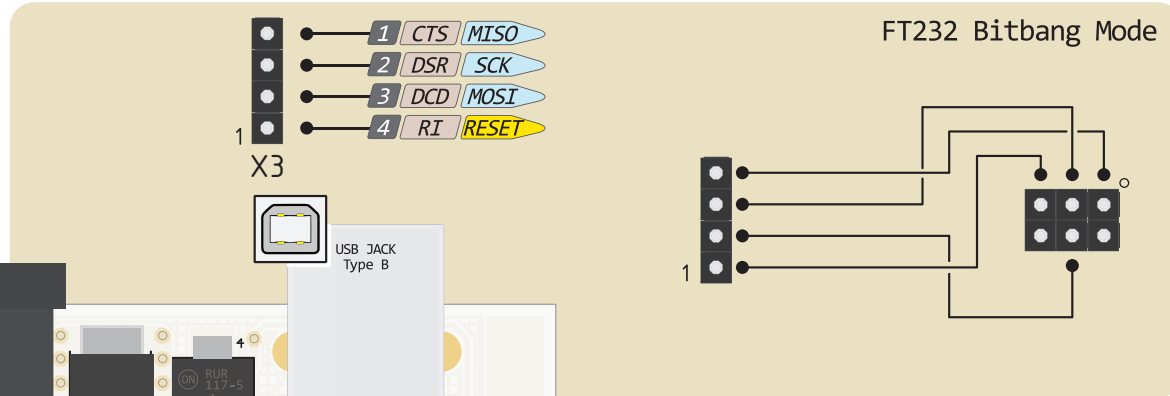
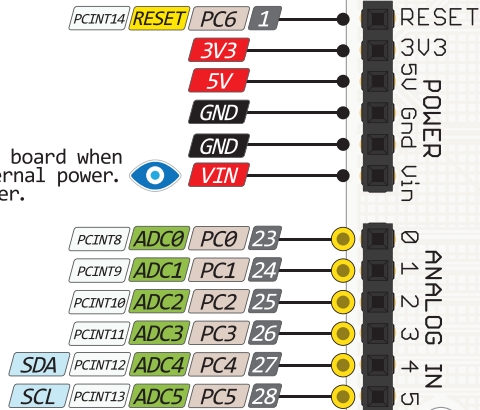
7-12V Depending on current drawn



Absolute MAX per pin 40mA recommended 20mA

Absolute MAX 200mA for entire package

The input voltage to the board when it is running from external power. Not USB bus power.



The power sum for each pin's group should not exceed 100mA

- Power
- GND
- Serial Pin
- Analog Pin
- Control
- INT
- Physical Pin
- Port Pin
- Pin function
- Interrupt Pin
- PWM Pin
- Port Power

Connected to the ATmega and used for USB program and communicating with it

