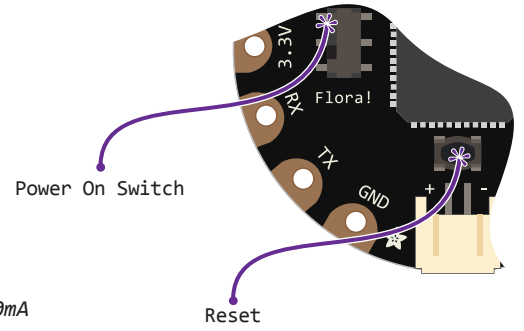


UNOFFICIAL

# adafruit

# FLORA

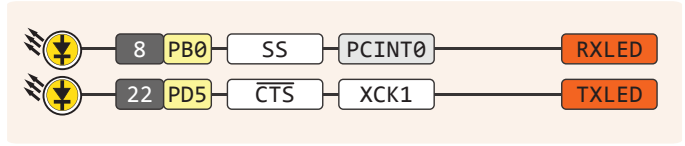
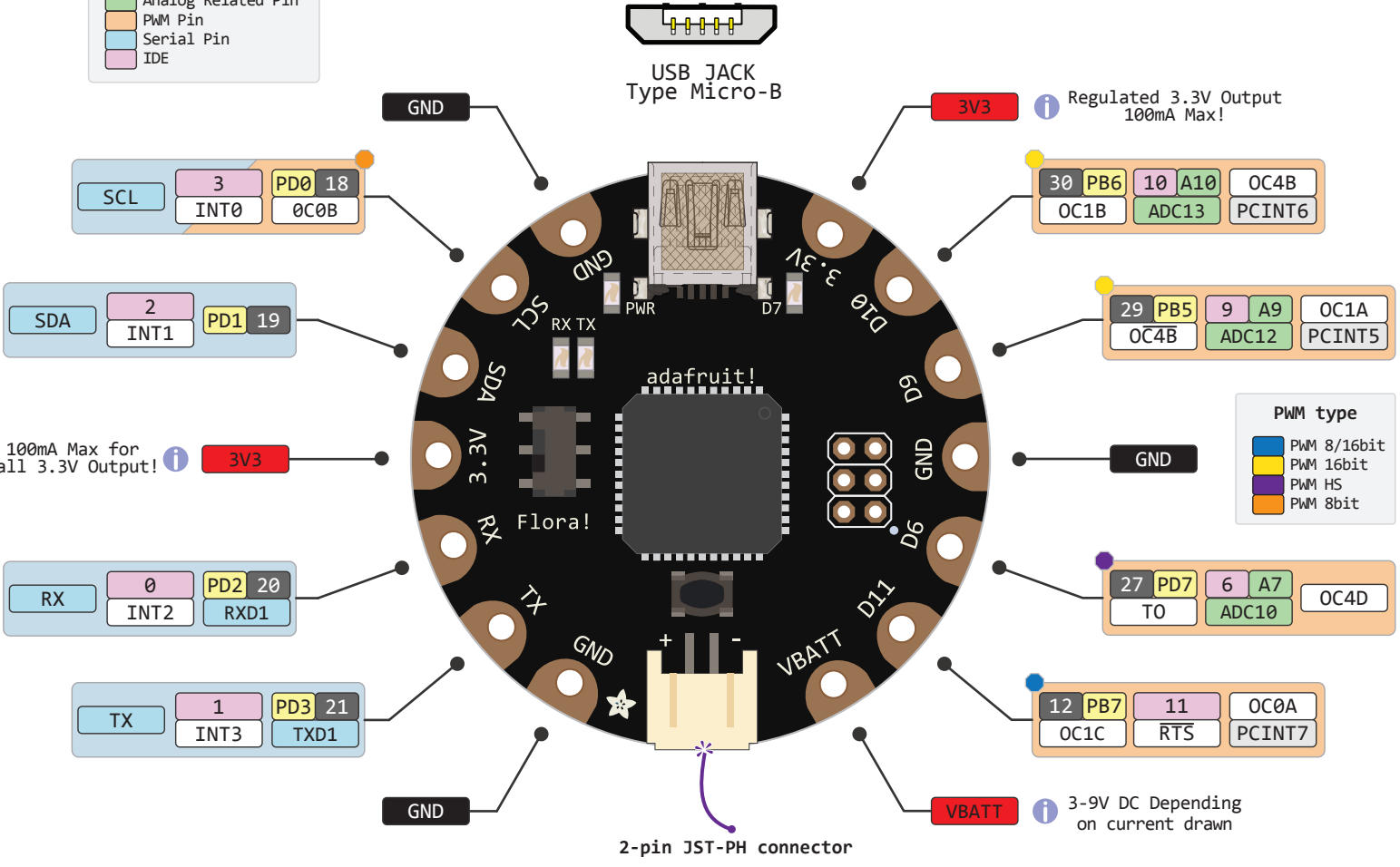
## PINOUT DIAGRAM



- GND
- Power
- Control
- Physical Pin
- Port Pin
- Pin Function
- Digital Pin
- Analog Related Pin
- PWM Pin
- Serial Pin
- IDE

**⚠ Absolute max per pin 40mA  
reccomended 20mA**

**STOP Absolute max 200mA  
for entire package**



<http://www.adafruit.com/products/659>

