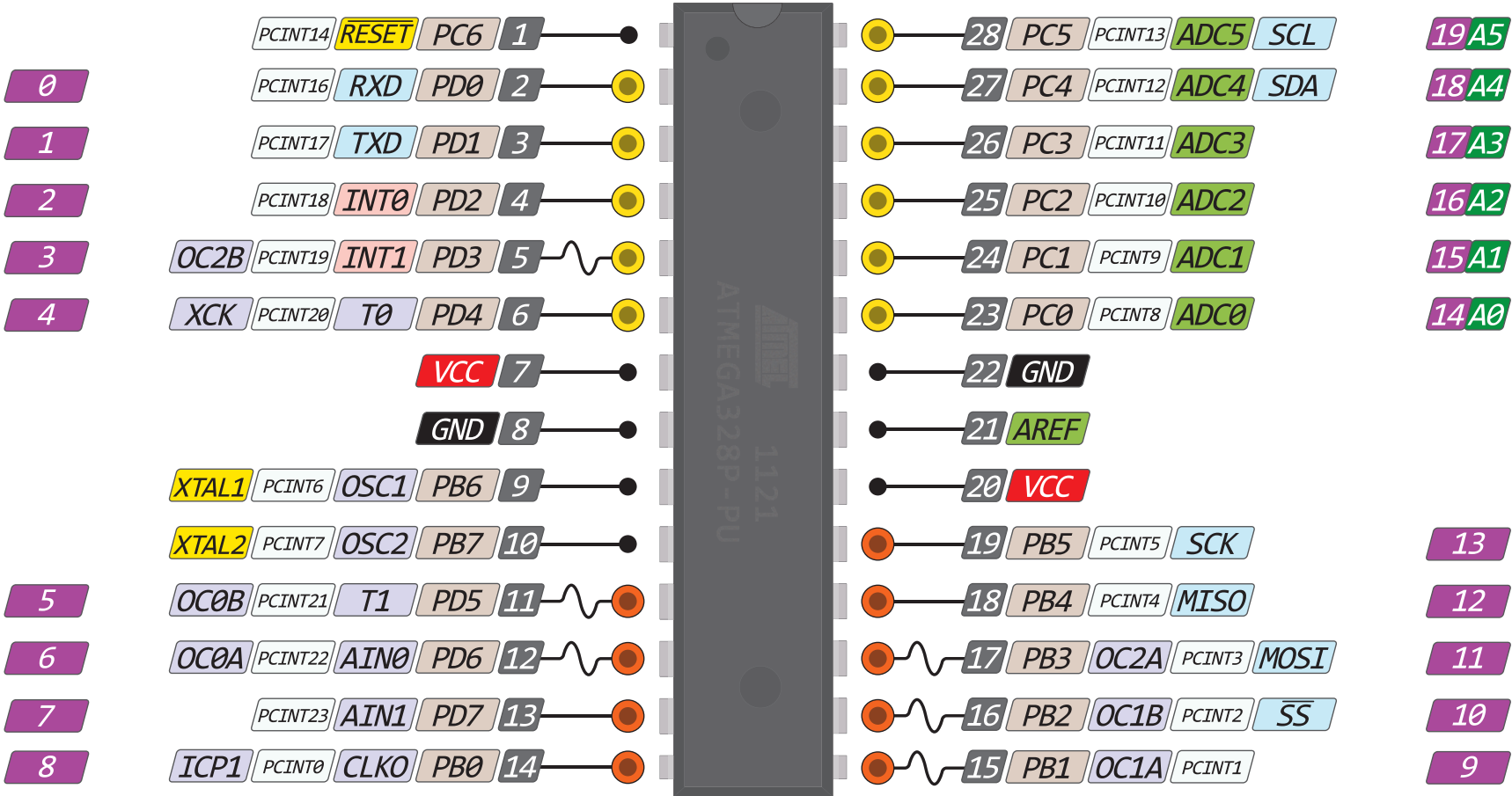


ATMEGA328 PINOUT



- IDE
- Power
- GND
- Serial Pin
- Analog Pin
- Control
- Pin Change Int
- Physical Pin
- Port Pin
- Pin function
- Ext Interrupt
- PWM Pin
- Port Power

Absolute MAX per pin 40mA
recommended 20mA

Absolute MAX 200mA
for entire package

The power sum for each pin's
group should not exceed 100mA