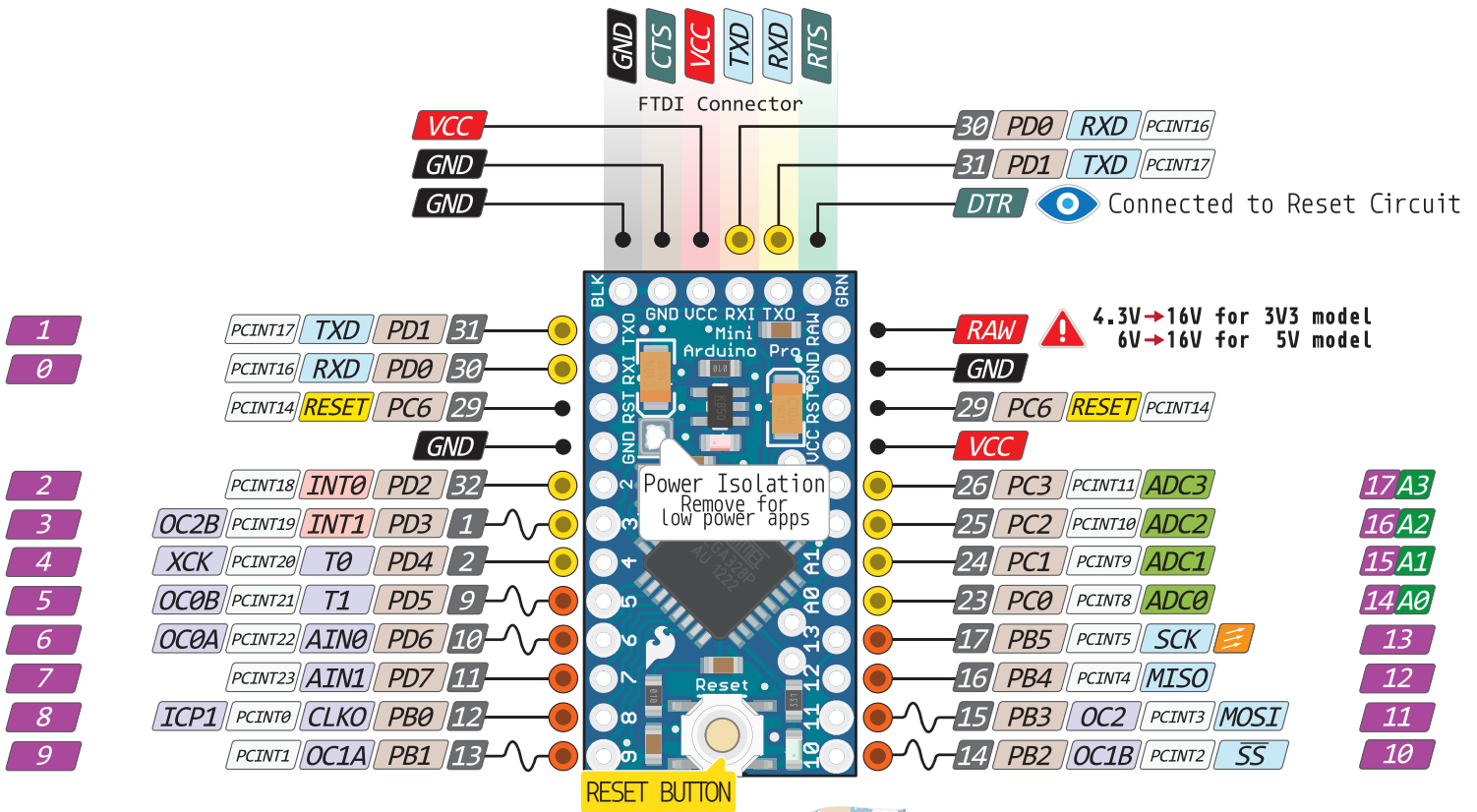


PROMINI

PINOUT

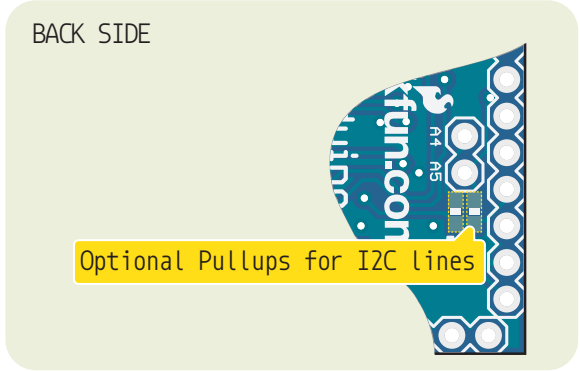
RAW When supplying unregulated power to the board, be sure to connect to this pin



- ⚠ Absolute MAX per pin 40mA recommended 20mA
- ⊘ Absolute MAX 200mA for entire package
- ⊘ Absolute MAX 150mA when RAW powered

⚠ Analog exclusively Pins

- Arduino IDE
- Power
- GND
- Serial Pin
- Analog Pin
- Control
- INT
- Physical Pin
- Port Pin
- Pin function
- Interrupt Pin
- PWM Pin
- Port Power



⚠ The power sum for each pin's group should not exceed 100mA