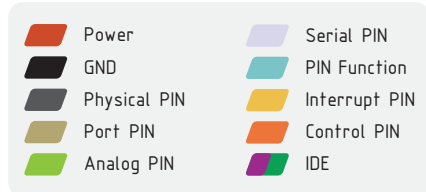
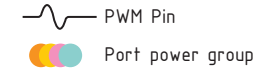
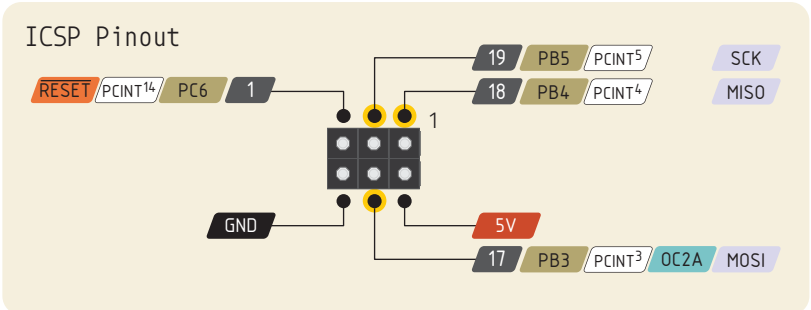
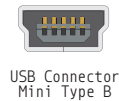
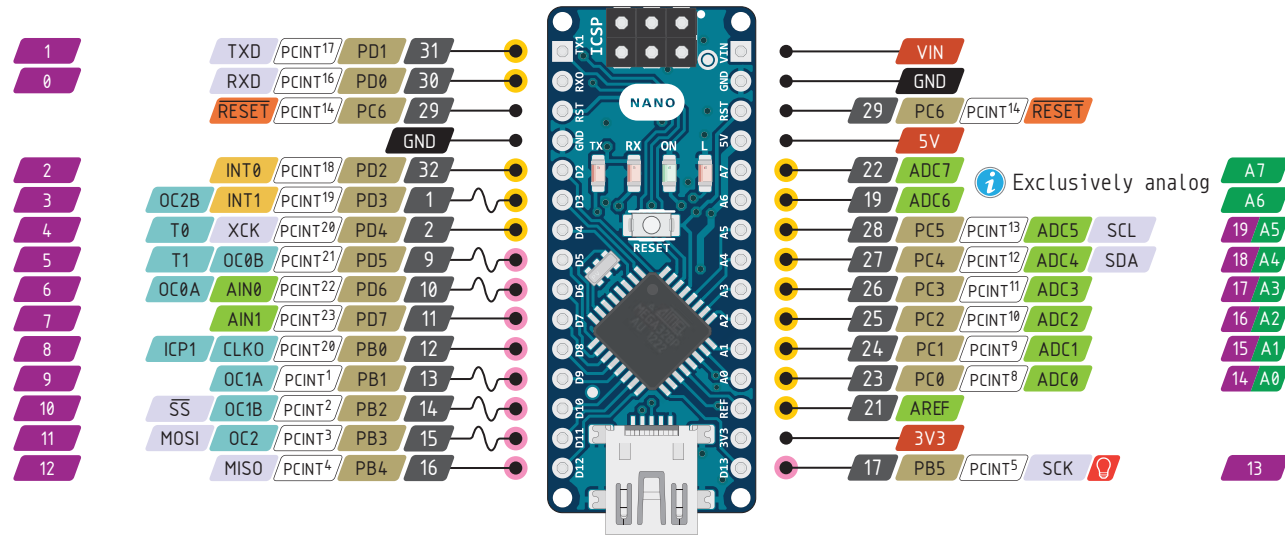


B4

0-1.es/B4



Nano Pinout



- VIN** Input voltage to the board when it's using an external power supply. Not USB bus voltage!
- Absolute** MAX per pin 40mA, 20mA recommended
- Absolute** MAX 200mA for the entire package
- The total current of each port power group **should not exceed** 100mA

