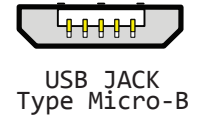
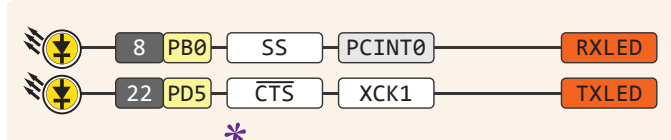
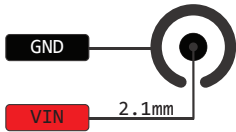


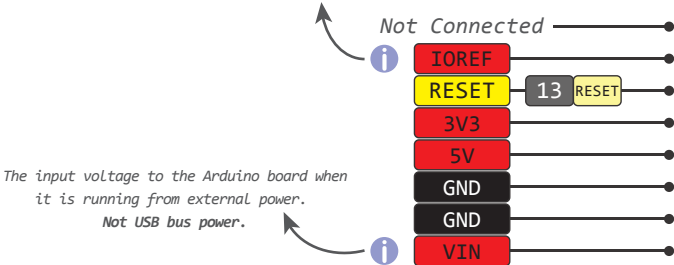
THE DEFINITIVE ARDUINO LEONARDO PINOUT DIAGRAM

i 7-12V Depending on current drawn

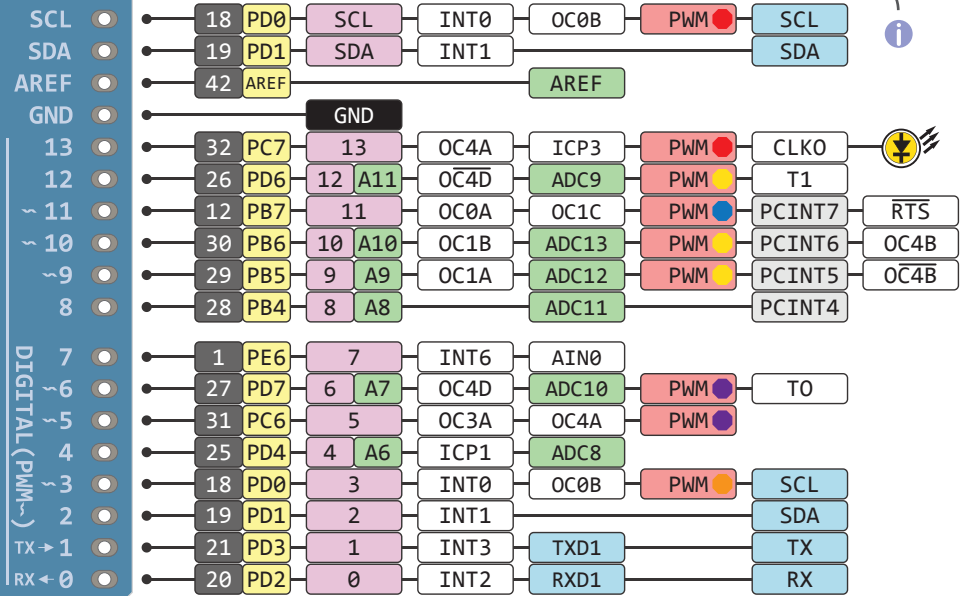
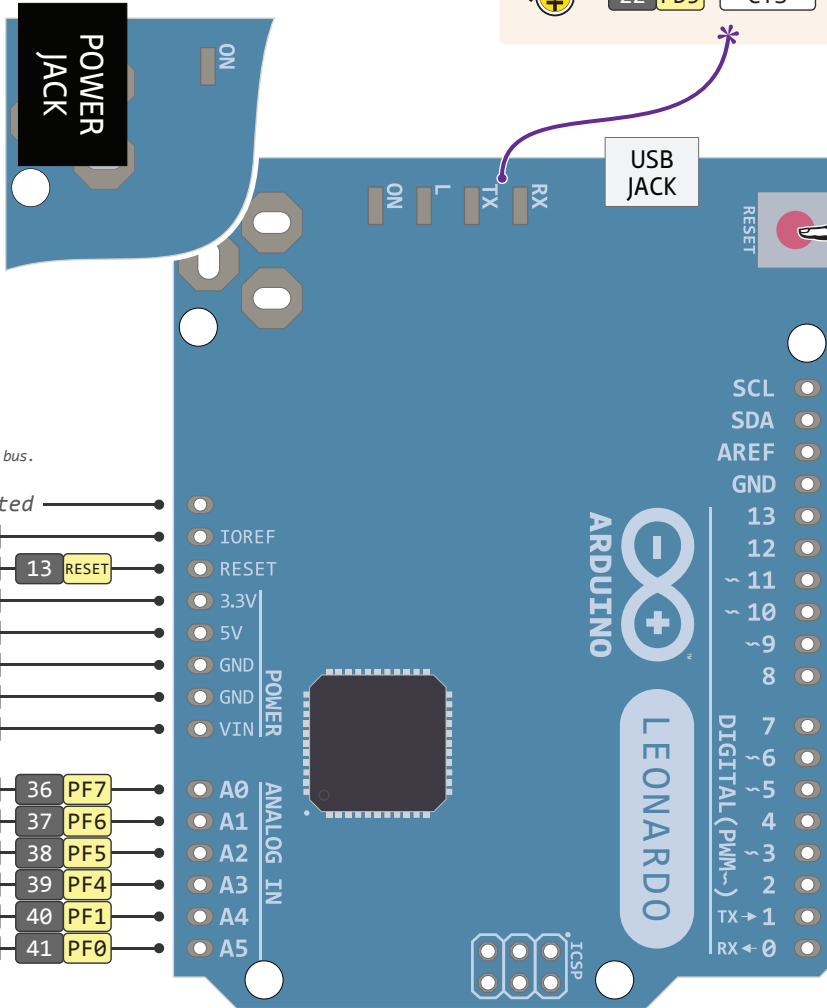
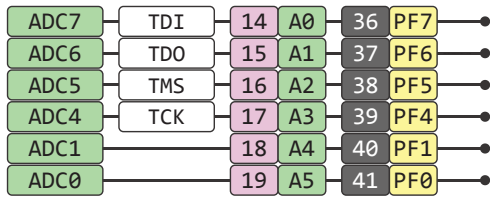


! Absolute max per pin 40mA recommended 20mA
STOP Absolute max 200mA for entire package

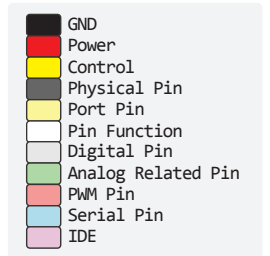
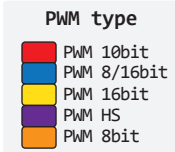
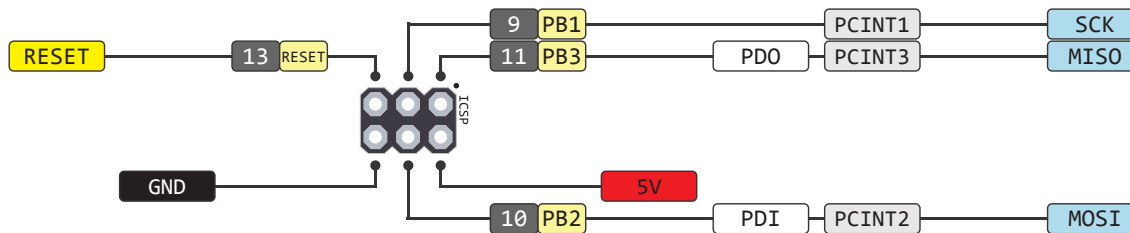
This provides a Logic reference voltage for shields that use it. It is connected to the 5V bus.



The input voltage to the Arduino board when it is running from external power. Not USB bus power.



SCL same as Pin3
SDA same as Pin2



www.pighixx.com



08 MAR 2013

ver 2 rev 0 - 08.03.2013