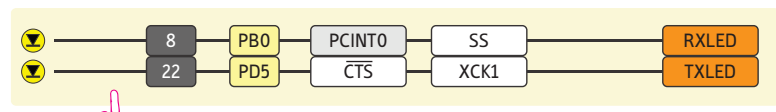
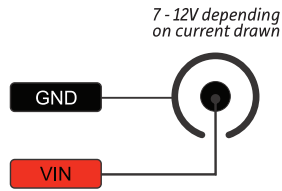


# THE UNOFFICIAL ARDUINO LEONARDO PINOUT DIAGRAM

**LEGEND**

- GND
- POWER
- CONTROL
- PHYSICAL PIN
- PORT PIN
- PIN FUNCTION
- DIGITAL PIN
- ANALOG-RELATED PIN
- PWM PIN
- SERIAL PIN

General Information  
 Pay Attention  
 No Really PAY ATTENTION  
 LED

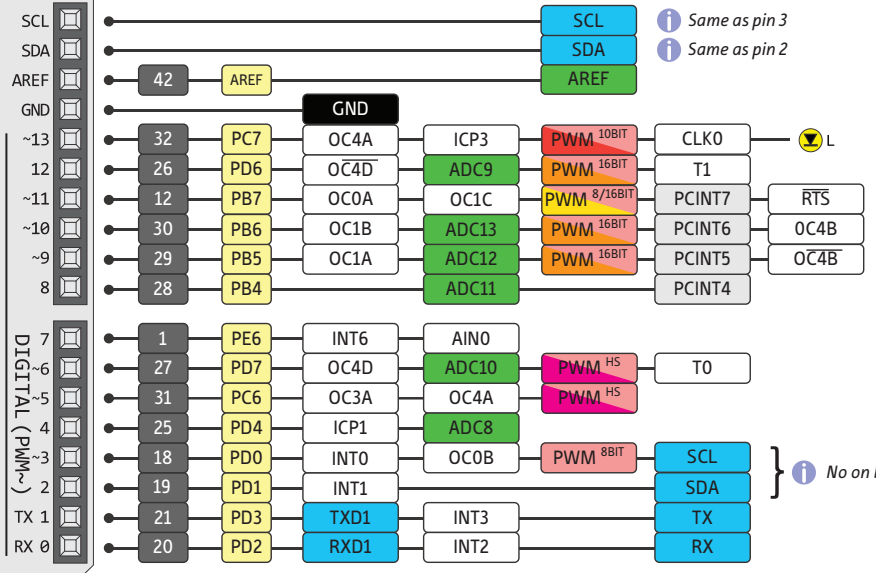
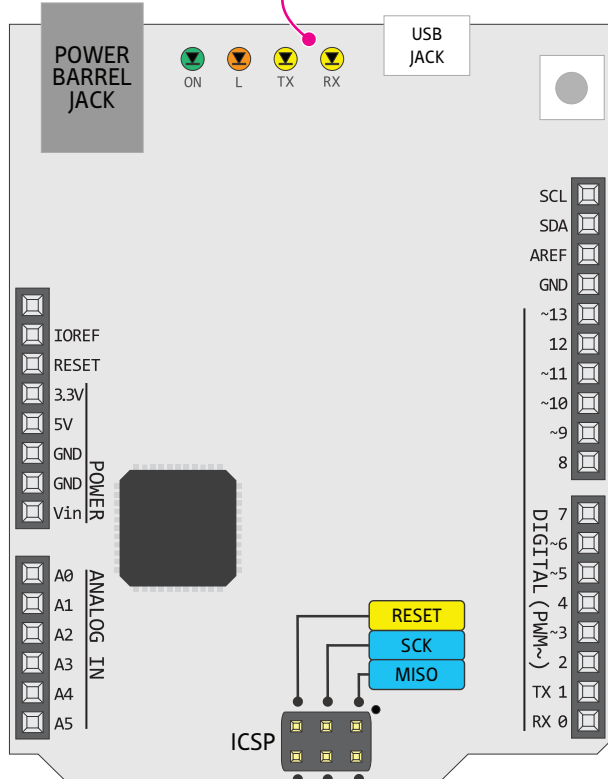
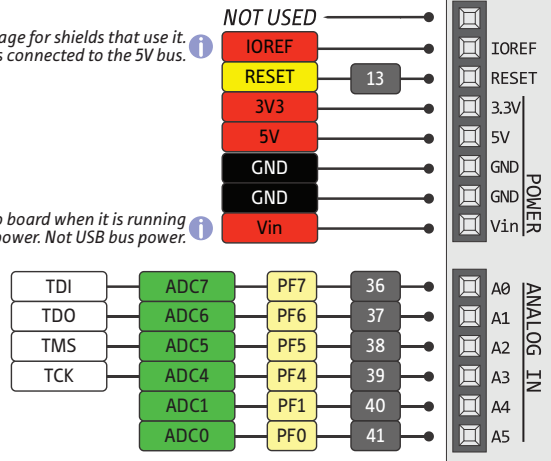


**Absolute max per pin 40mA**  
reccomended 20mA

**Absolute max 200mA**  
for entire package

*This provides a logic reference voltage for shields that use it. It is connected to the 5V bus.*

*The input voltage to the Leonardo board when it is running from external power. Not USB bus power.*



No on board pull-ups



www.pighixx.com



29 JAN 2013

ver 1 rev 4 - 11.02.2013